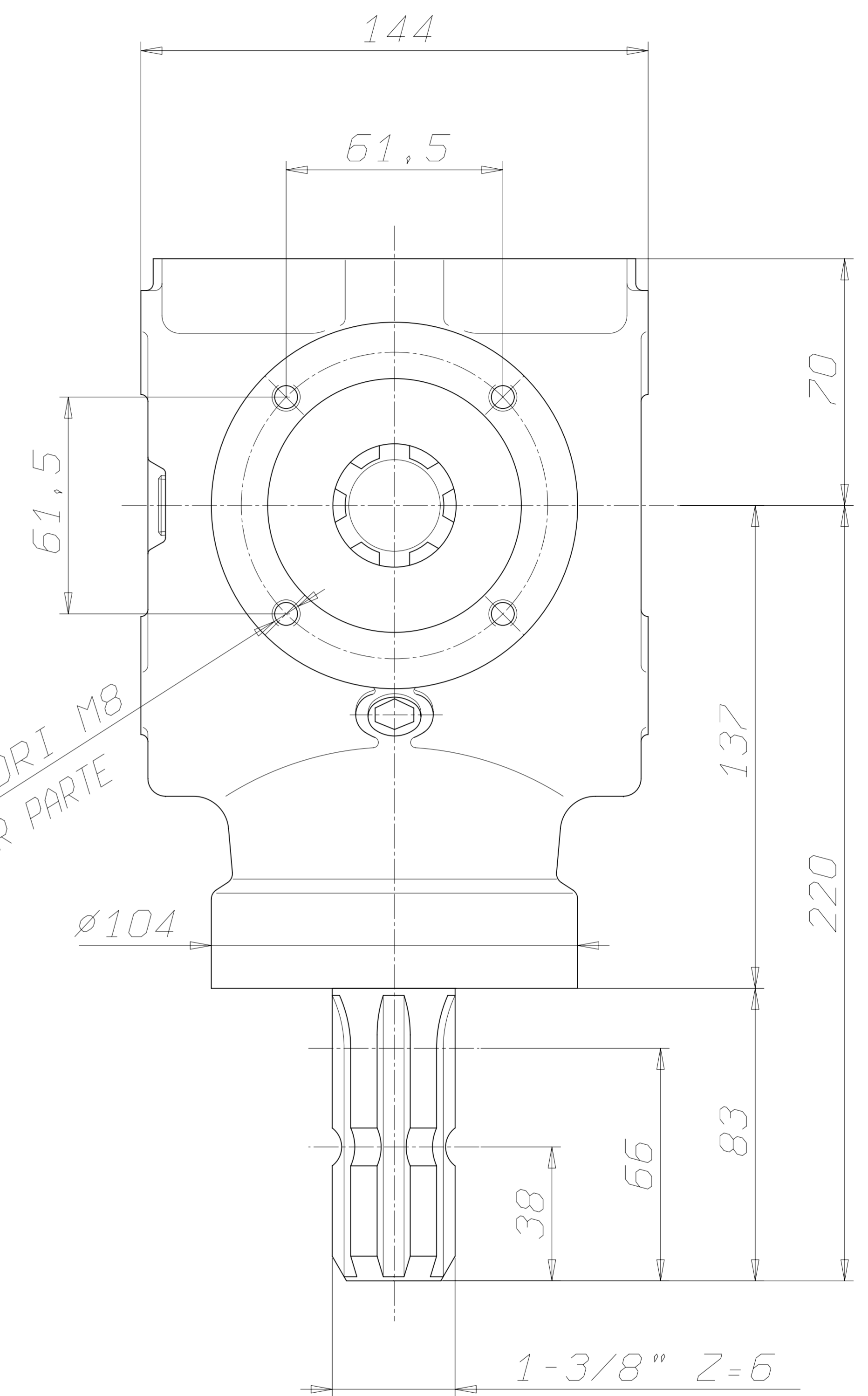
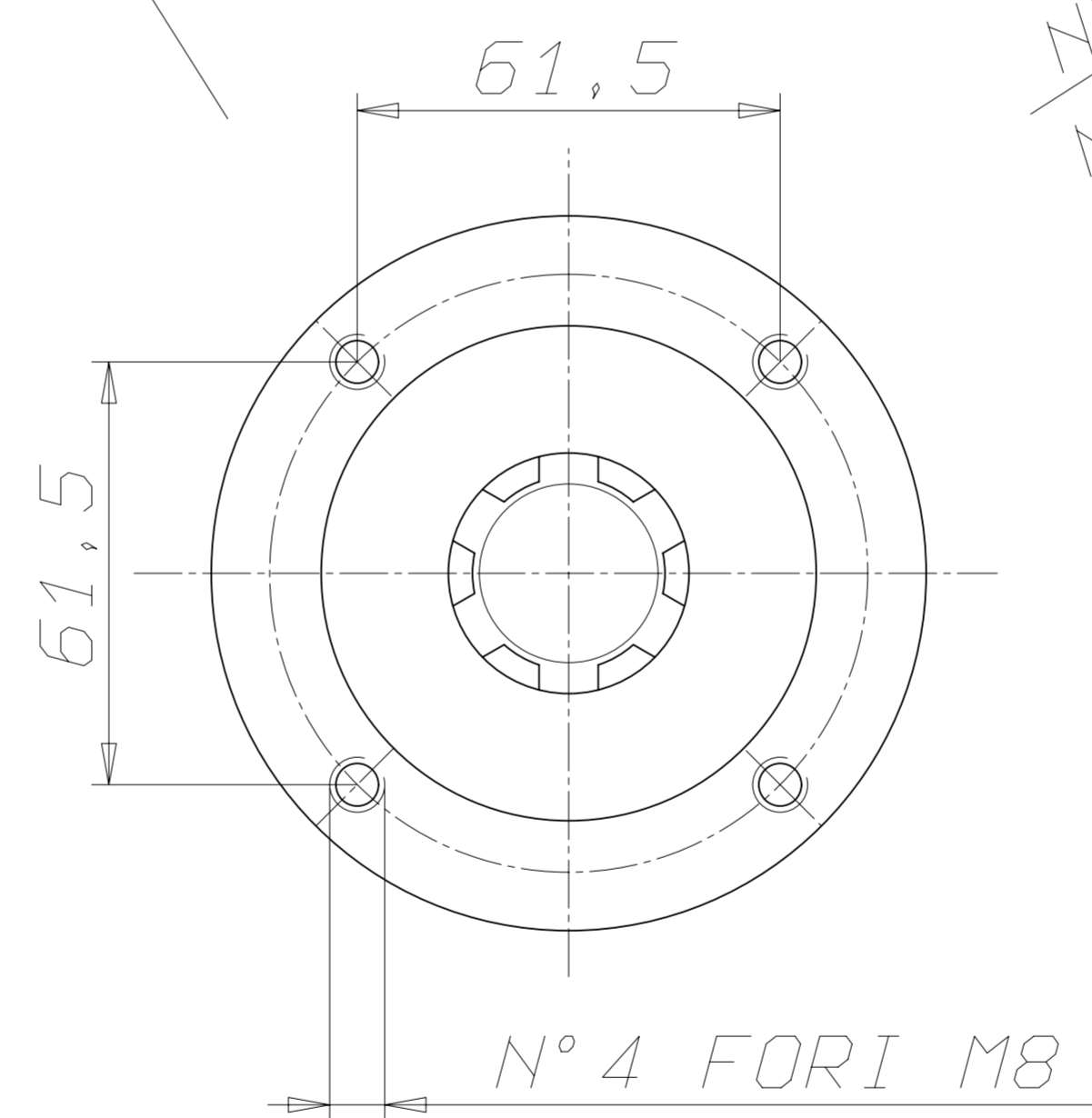
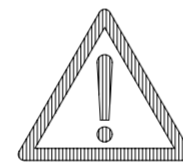
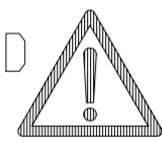


VISTA DA "A"



**WARNING!**

ROTATING SHAFTS MARKED ARE NOT SHIELDED. ANY SHAFT AND COUPLING NOT GUARDED BY LOCATION MUST BE SHIELDED BY AN INTERACTIVE GUARDING SYSTEM. BONDIOLI & PAVESI DECLINES RESPONSIBILITY IF PROPER GUARDS ARE NOT PROVIDED AND MAINTAINED.



N° 8 FORI M12  
N° 4 PER PARTE

N° 8 FORI M8  
N° 4 PER PARTE

N° 4 FORI M8

MONTAGGIO GEAR ARRANGEMENTS ART DER MONTAGE MONTAGE  	PESO WEIGHT GEWICHT POIDS  RAPPORTO RATIO ÜBERS.-VERH. RAPPORT  GIRI IN ENTRATA INPUT SPEED EINGANGSDREHZAHL TOURS EN ENTREE  POTENZA IN ENTRATA INPUT POWER EINGANGSLEISTUNG PUISSANCE EN ENTREE	TIPO TYPE TIP  2030  MODIFICHE - MODIFICATIONS - ANDERUNGEN - MODIFICACIONES	CLIENTE CLIENT CUSTOMER KUNDE	DATA : 15/1/02  VISTO : A. Magotti	  SOSTITUISCE REPLACE REPLACES ERSETZT  TIPO DI MACCHINA TYPE DE MACHINE TYPE OF IMPLEMENT MASCHINENTYPE  RIF. CLIENTE REF. CLIENT CUSTOMER REF. BEZUG KUNDE	MINIDISEGNO SCATOLA Codice : 52030055G111
	1:1.82  540  28 CV 21 KW					